

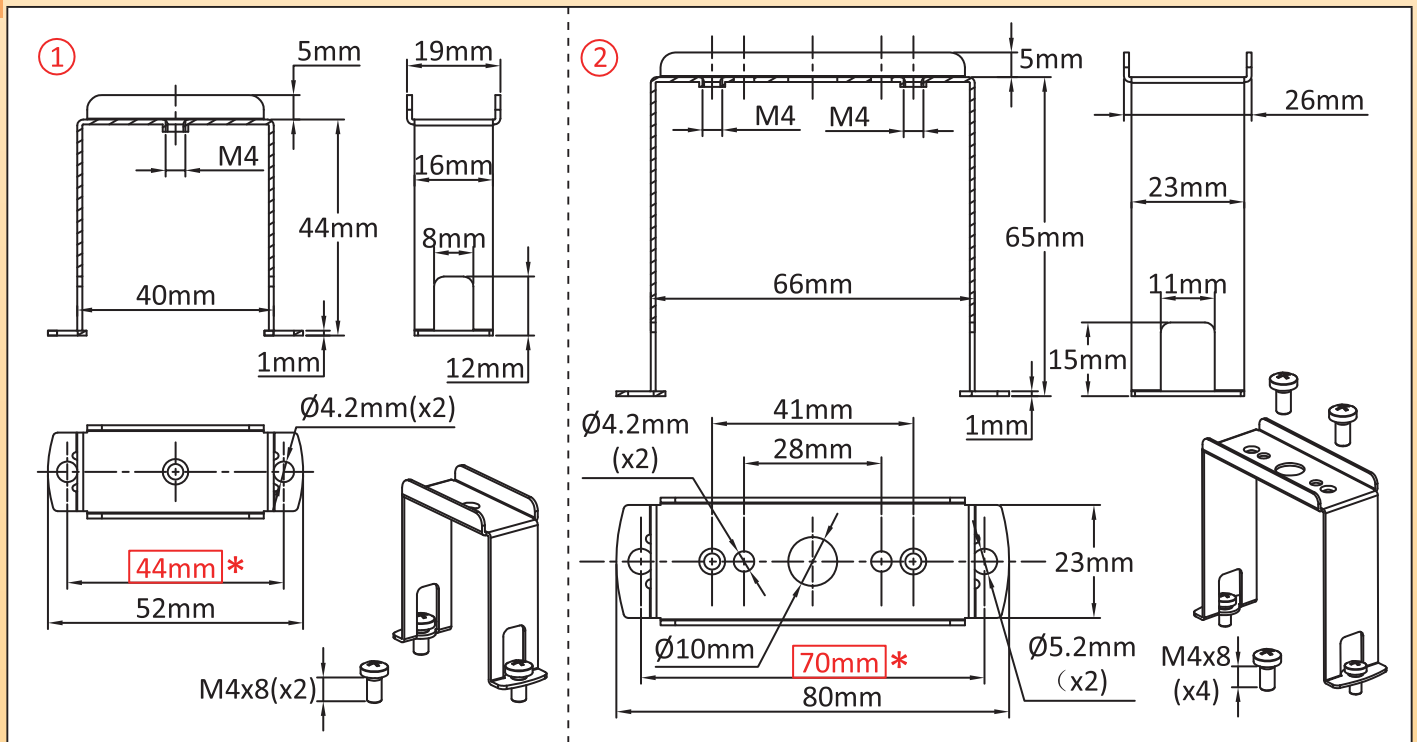


Internal saddles for round enclosures assembly on fittings

| Minimum Size | Maximum Size | Material | Type | Model |
|--------------|--------------|----------------------------|-------------------------|-------------|
| 1½" | 2½" | 304 Stainless steel | Internal saddles | 66KE |




| Compatible with: | | | |
|------------------------------------------------------------------------------------------------------------------------------------------------------------------------------|--------------------------------------------------------------------------------------|-----------------------------------------------------------------------------------|-------------------------------------------------------------------------------------|
| ① | ② | ① | ② |
| <input checked="" type="checkbox"/> Y302 <input checked="" type="checkbox"/> Y3K1 <input checked="" type="checkbox"/> Y3C1 <input checked="" type="checkbox"/> Y3C2 | <input checked="" type="checkbox"/> Y3K2 <input checked="" type="checkbox"/> Y3C3 |  |  |



Main references

Links

| ① | ② |
|------------------|------------------|
| 66KE1I0000000000 | 66KE2I0000000000 |

| | |
|---------------------------------------------------------------------------------------|-------------------|
|  | Page (.pdf) |
|  | Drawing 2D (.dwg) |
|  | Drawing 3D (.stp) |

Red dimensions inside rectangular frames on drawings are used for assembly on enclosures or on fittings.

